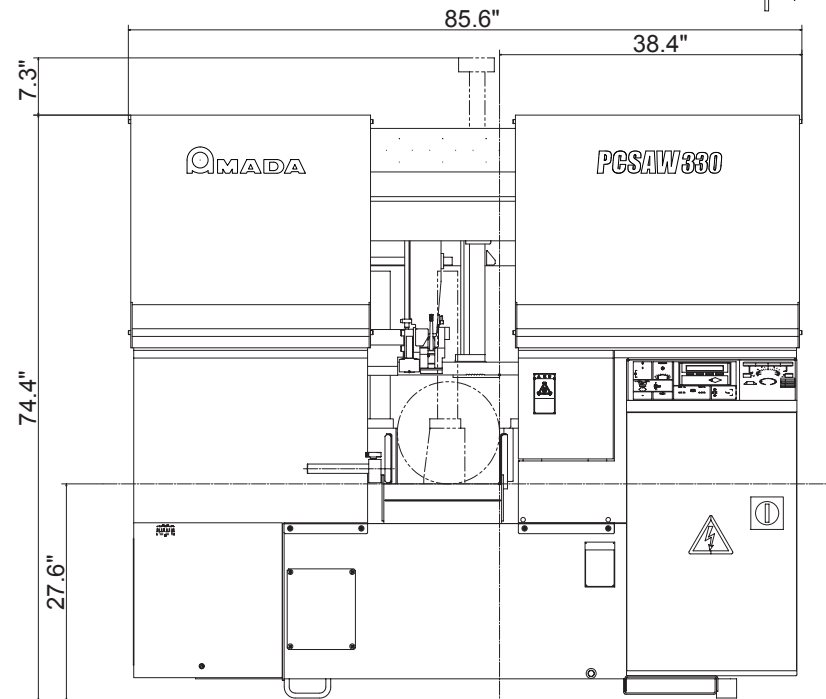
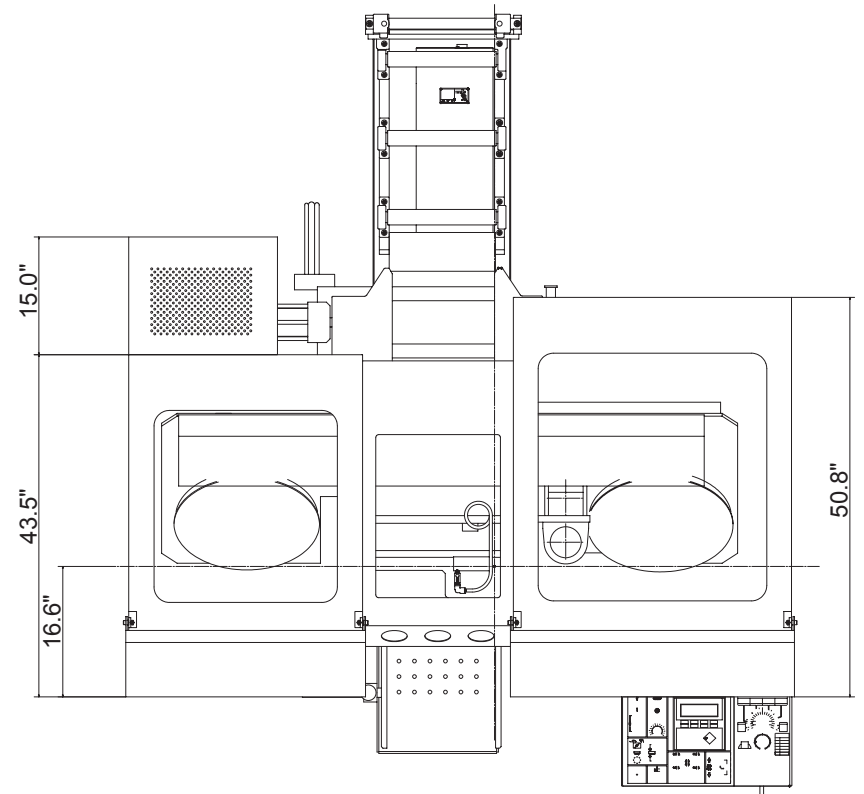
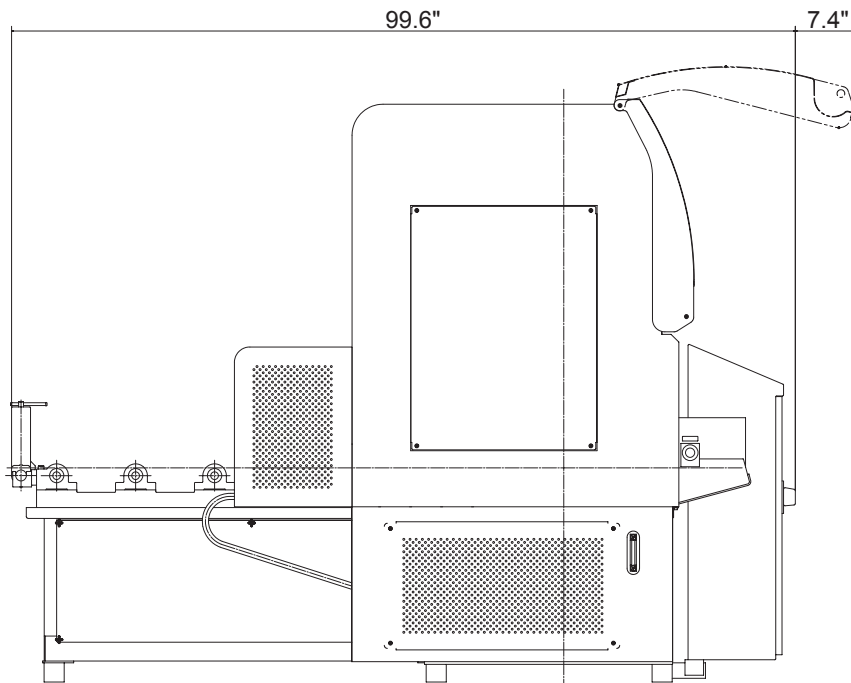


# PCSAW330 SPECIFICATIONS



\* Specifications may change without notice at the sole discretion of Amada's Engineering Department.